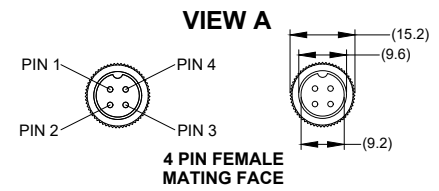
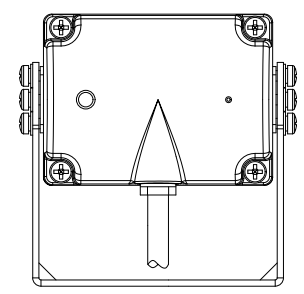
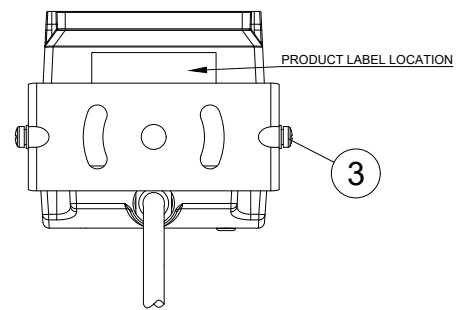
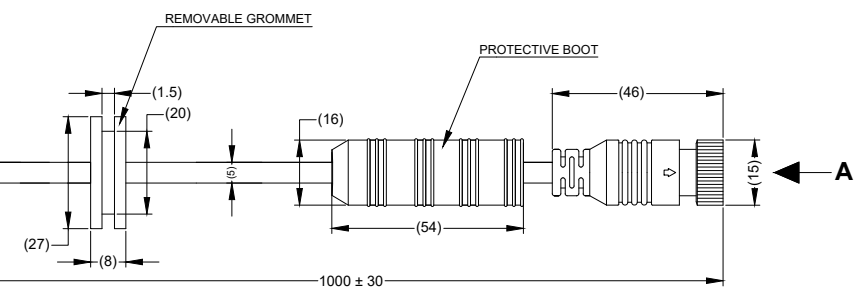
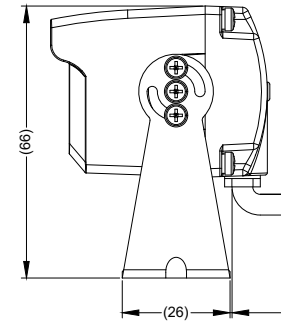
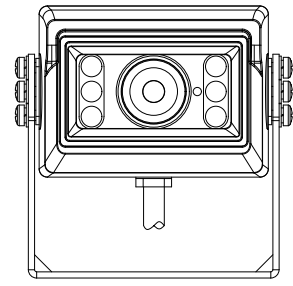
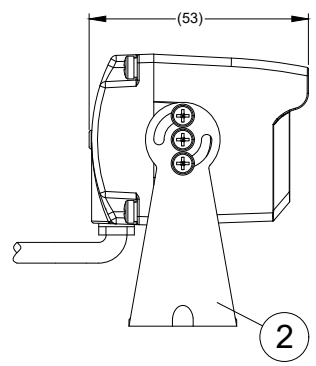
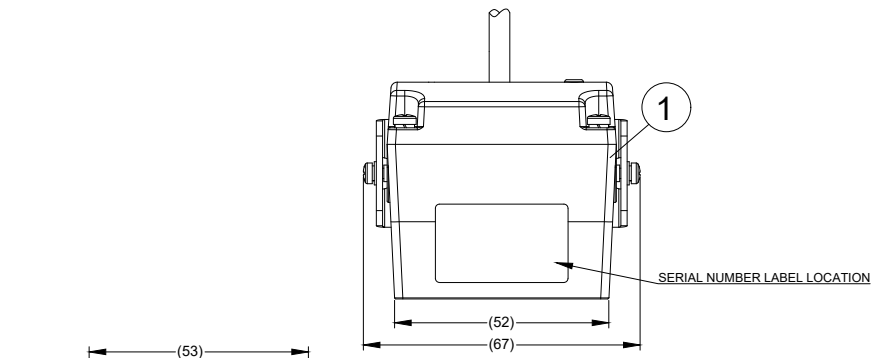
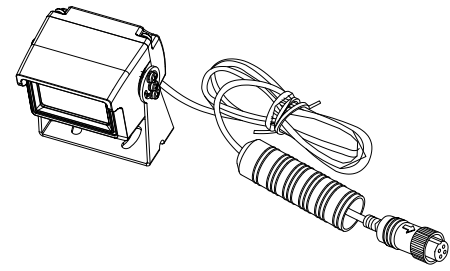


Revision Notes.				
R1 -				
APA: -	Drawn:-	Checked:-	Approved:-	Date: -



PIN #	WIRE COLOUR	DESCRIPTION
1	RED	+12V
2	BLACK/SHIELD	GND
3	BLACK/SHIELD	GND
4	YELLOW	VIDEO



**VBV-620C (3683B) KIT CONTENTS:**

ITEM	PART NO.	MODEL NO.	QTY	DESCRIPTION
①	3895B	VBV-620C-C	1	VBV-620C-C PAL CAMERA ONLY
②	3893A	VBV-62XC-BKT	1	VBV-62XC-BKT CAMERA BRACKET
③	3896	VBV-62XC-FIX	1	VBV-62XC-FIX CAMERA FIXING KIT
④	3958B	VBV-62XC-IG	1	VBV-62XC-IG INSTALLATION GUIDE (NOT SHOWN)

**VBV-621C (3684B) KIT CONTENTS:**

ITEM	PART NO.	MODEL NO.	QTY	DESCRIPTION
①	3919B	VBV-621C-C	1	VBV-621C-C NTSC CAMERA ONLY
②	3893A	VBV-62XC-BKT	1	VBV-62XC-BKT CAMERA BRACKET
③	3896	VBV-62XC-FIX	1	VBV-62XC-FIX CAMERA FIXING KIT
④	3958B	VBV-62XC-IG	1	VBV-62XC-IG INSTALLATION GUIDE (NOT SHOWN)

- NOTES:**  
 1. REFER TO PRODUCT SPECIFICATIONS FOR PRODUCT SPECIFICATIONS.  
 2. REFER TO COMPONENT DRAWINGS FOR COMPONENT DETAILS.  
 3. FOR LABELING AND PACKAGING DETAIL REFER TO MASTER BOM

**PROPRIETARY NOTICE**  
 THIS DESIGN AND TECHNICAL INFORMATION APPEARING ON THIS DRAWING IS THE PROPERTY OF BRIGADE ELECTRONICS, AND IS DISCLOSED IN CONFIDENCE. IT IS NOT TO BE COPIED, REPRODUCED, REVEALED TO OR EXPROPRIATED BY OTHERS, EITHER IN WHOLE OR IN PART WITHOUT THE EXPRESS WRITTEN CONSENT OF BRIGADE ELECTRONICS.



Assembly Pl Approval Y.ZHANG 11/10/17	Approved by B.JOHN	Checked by M.BUTLER	Drawn by S.LAVER
Angle of Projection Third Angle	Units mm	Scale N/A	Released 11/10/17
Status RELEASED		Assembly Ref -	
Part No SEE TABLES		VBV-62XC BE-003613-00-17	